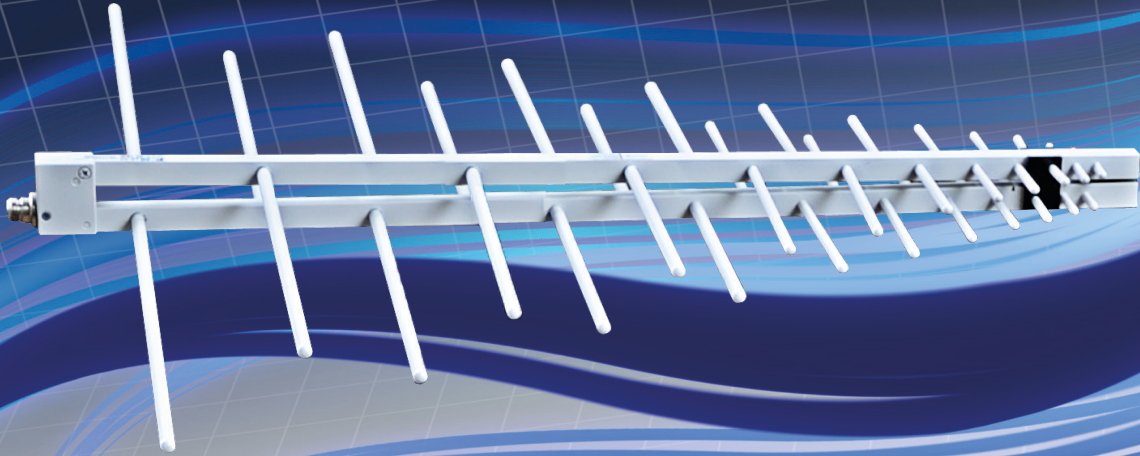


LP-02

Log-periodic antenna 200 MHz to 3 GHz



Main Features

- 200 MHz to 3 GHz frequency range
- Excellent antenna factor
- Tripod adapter for easy vertical-horizontal polarization change
- Individual calibration
- Robust, rustproof aluminium construction
- Lightweight

LP-02 is a log-periodic antenna designed for radiated emissions and immunity testing that can be used in conjunction with any receiver or spectrum analyzer.

Its ideal companion is the EMI Receiver Unit 9030 or 9060, which can be easily mounted on the antenna mast.*

*The direct connection between antenna and PMM receiver eliminates additional sources of uncertainties due to coaxial cable attenuation and scattering. For further information please consult our brochure "Fully CISPR-Compliant Digital EMC/EMI receivers 10 Hz to 18 GHz".



L3HARRIS

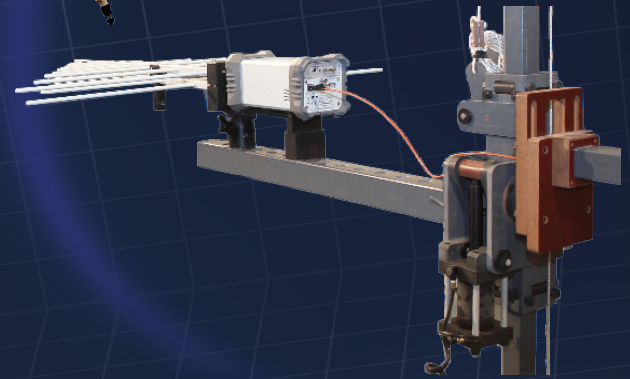
narda 
Safety Test Solutions

LP-02

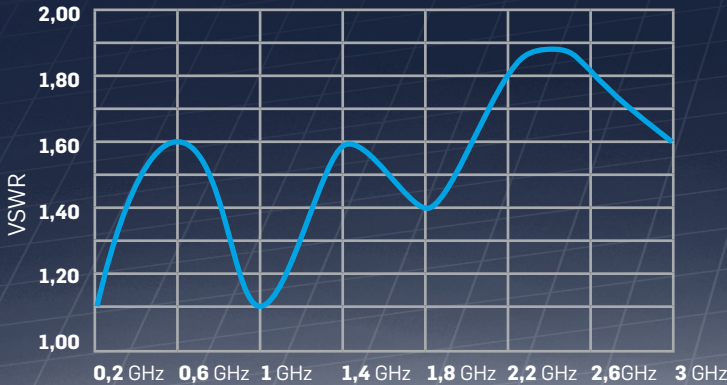
Log-periodic antenna 200 MHz to 3 GHz

SPECIFICATIONS

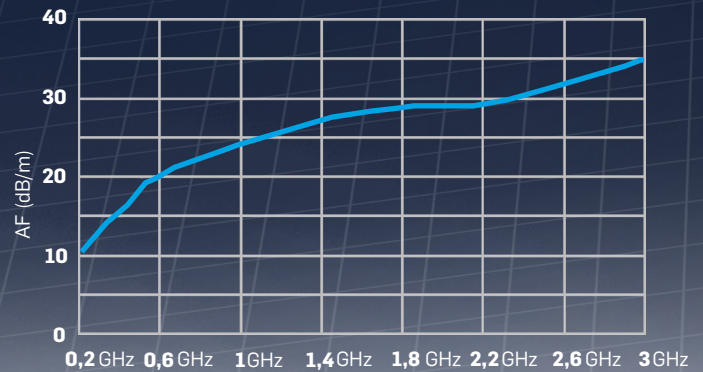
Frequency range	200 MHz to 3 GHz
Impedance	50 Ω nominal
Gain	6 dBi typical
Antenna factor	13 to 36 dB/m typical
VSWR	< 2:1 (1,2:1 typical)
Construction	Aluminium
Max input power	100 W up to 1 GHz 50 W up to 3 GHz
Connector	N female
Dimensions (L x H x W)	700 x 100 x 860 mm
Weight	1,1 kg
Colour	RAL 7035



LP-02 with 9030



LP-02 - VSWR



LP-02 - Antenna Factor @ 10m

Ordering information:

LP-02 Log-periodic Antenna with individual calibration report
LP-02/TC Log-periodic Antenna with typical calibration report
 Includes: user's manual, soft carrying case, calibration report

Optional accessories:

TR-01 set
 Includes: TR01 60-180 cm wooden column extendable tripod,
 antenna mounting adapter to change polarization, soft carrying case
5 meter/6 GHz/N(m)-N(m) RF cable
 Antenna Mounting kit **AMK-01**

Related products and services

Receivers

- 7010/00: EMI Receiver 150 kHz to 1 GHz
- 7010/01: EMI Receiver 9 kHz to 1 GHz
- 7010/03: EMI Receiver 9 kHz to 3 GHz
- 9010: EMI Receiver 10 Hz to 30 MHz
- 9010F: EMI Receiver 10 Hz to 30 MHz
- 9010/03P: EMI Receiver 10 Hz to 300 MHz
- 9010/30P: EMI Receiver 10 Hz to 3 GHz
- 9010/60P: EMI Receiver 10 Hz to 6 GHz
- 9030: EMI Receiver 30 MHz to 3 GHz
- 9060: EMI Receiver 30 MHz to 6 GHz
- FR4003: Field Receiver 9 KHz to 30 MHz

Antennas

- BC-01: Biconical Antenna 30 to 200 MHz
- BL-01: Biconical Log Periodic Antenna 30 MHz to 6 GHz
- DR-01: Double-ridged Horn Antenna 6 to 18 GHz
- LP-03: Log Periodic Antenna 800 MHz to 6 GHz
- LP-04: Log Periodic Antenna 200 MHz to 6 GHz
- TR-01: Antenna Tripod
- VDH-01: Van der Hoofden Test Head 20 kHz to 10 MHz
- Antenna Set AS-02 (BC01+LP02+TR01)
- Antenna Set AS-03 (BC01+LP02+LP03+TR01)
- Antenna Set AS-04 (BC01+LP04+TR01)
- Antenna Set AS-05 (BC01+LP04+DR01+TR01)
- Antenna Set AS-06 (BC01+LP-02+LP03+DR01+TR01)
- Antenna Set AS-07 (BL01+TR01)
- Antenna Set AS-08 (BL01+DR01+TR01)
- RA-01: Rod Antenna 9 kHz to 30 MHz
- RA-01-HV: Rod Antenna 150 kHz to 30 MHz
- RA-01-MIL: Rod Antenna 9 kHz to 30 MHz

Calibration services

- Ansi 63.5 Antenna Factor
- SAE ARP 958-D
- Free-Space Antenna Factor

Sales:
 Via Rimini, 22
 20142 Milano - ITALY
 Phone: +39 02 581881
 Fax: +39 02 58188273



L3HARRIS



Headquarters:
 Via Benesse, 29/B
 17035 Cisano sul Neva (SV) - ITALY
 Phone: +39 0182 58641
 Fax: +39 0182 586400

E-Mail: nardait.support@L3Harris.com
 Internet: www.narda-sts.it