

RF SHIELDED DOORS Euroshield RFD-F/A-100 Swing Doors

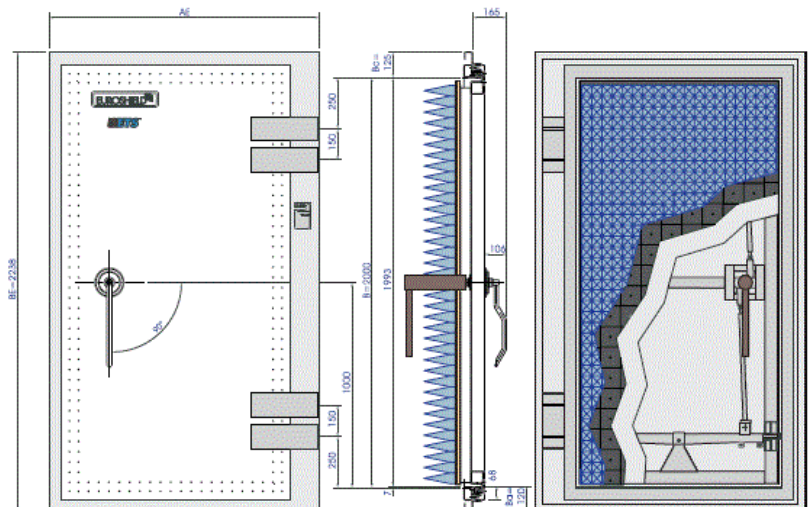
ETS-Lindgren's RFD-F/A-100 Swing Doors meet the performance of the standard 100-type doors up to 40 GHz and are especially designed for the additional load of ferrites and short absorbers (max. 50 kg/m²).

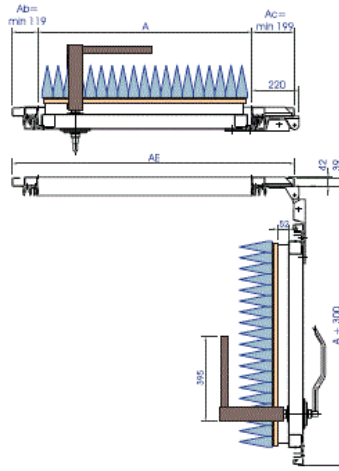


ETS-Lindgren's RFD-F/A-100 Swing Doors meet the performance of the standard 100-type doors up to 40 GHz and are especially designed for the additional load of ferrites and short absorbers (max. 50 kg/m²). Maximum length of foam absorbers is 400 mm (15.74 in) everywhere, except around the handle area. The rigid inner plate allows the mounting of the ferrites/absorbers directly onto it and still gives the possibility for maintenance of the door in the case necessary. The ferrite tiles/absorbers are not included in the standard delivery.

The double hinges guarantee the proper functioning of the heavy load door. The RFD-F/A-100 interior door handle is made of bakelite and has a special extension part for the pyramid absorbers. For quicker and lighter opening, the handle can be installed so that it is at horizontal position when the door is closed. In a manual configuration, the operation system releases the RF-tight locking. For all the F/A-type doors with the width exceeding 1.2 m (3.94 ft), the pneumatic opening/closing system is recommended for lighter door operation.

The door leaf of the RFD-F/A-100 swing doors is painted on outside (standard color white RAL 9010).





Standard clear opening sizes in mm				
A	800	1000	1200	1200
B	2000	2000	2000	2100

The dimensions in the drawing apply to the standard sizes

Key Features

- Patented Labyrinth Sealing Construction
- Lightweight; Easy to Operate
- Ideal Metal-to-metal Contact Between the Door Leaf and the Frame
- Specially Designed for Additional Load of Ferrites (max. 50 kg/m²)

Product Charts

**Euroshield RFD-F/A-100
Frequency and Attenuati**

